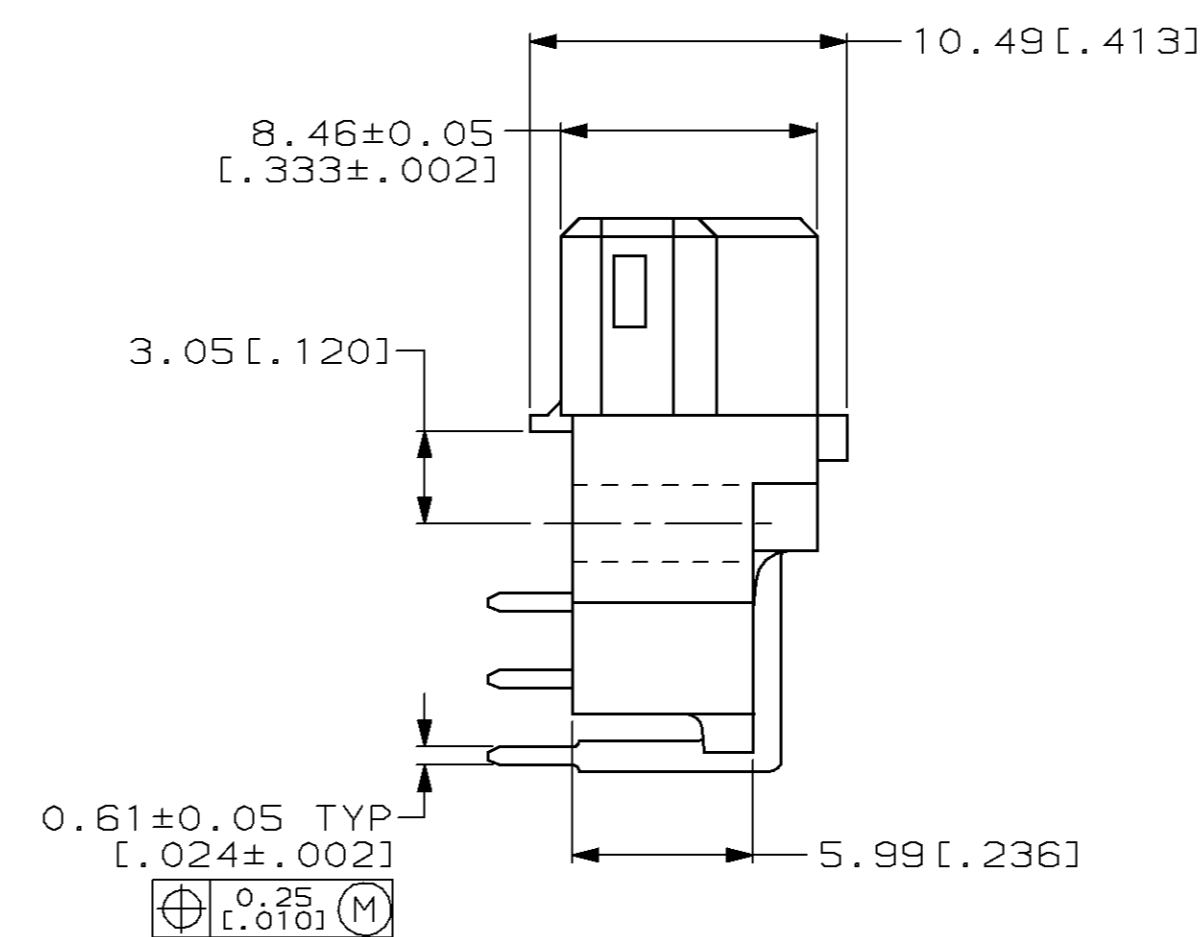
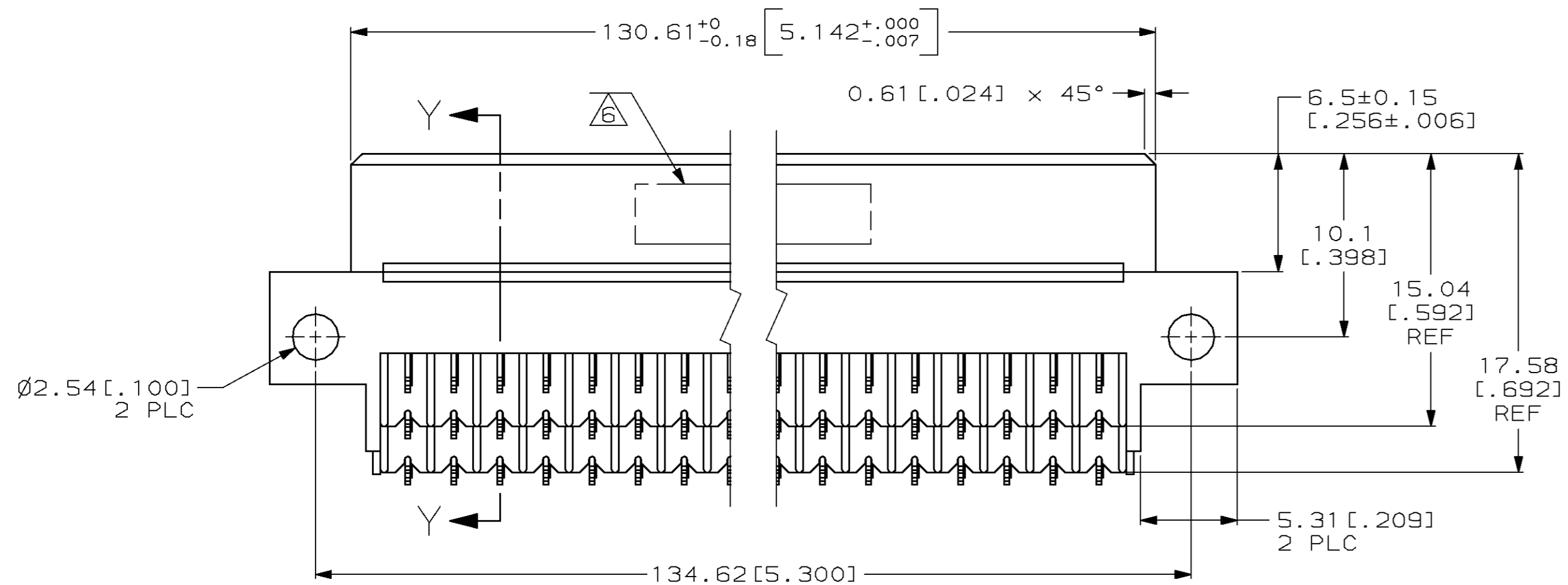
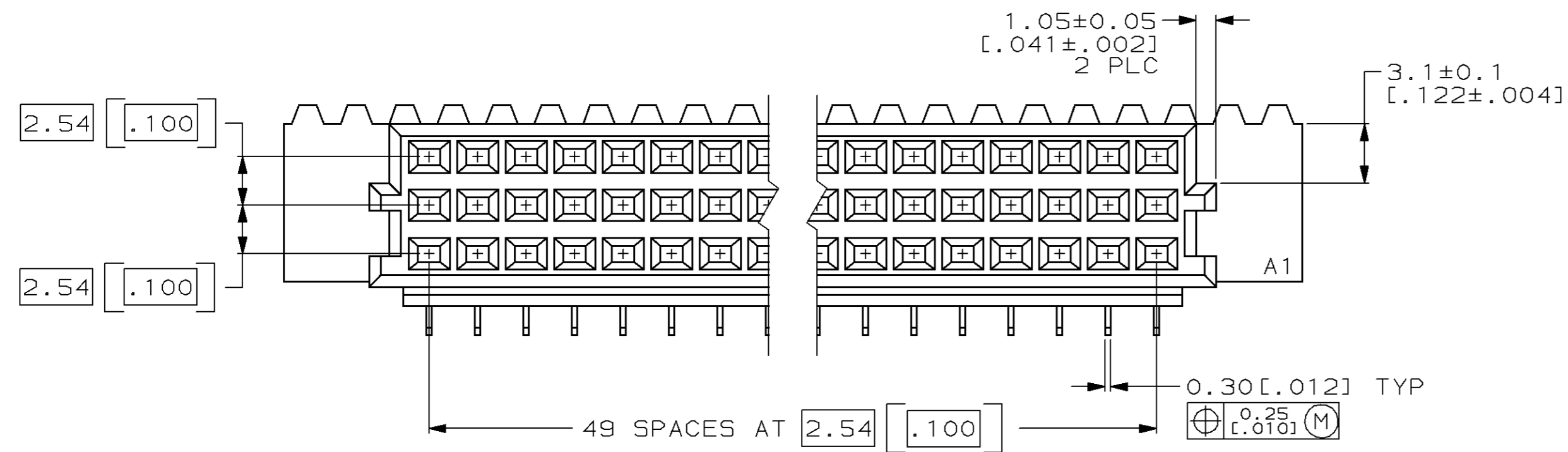
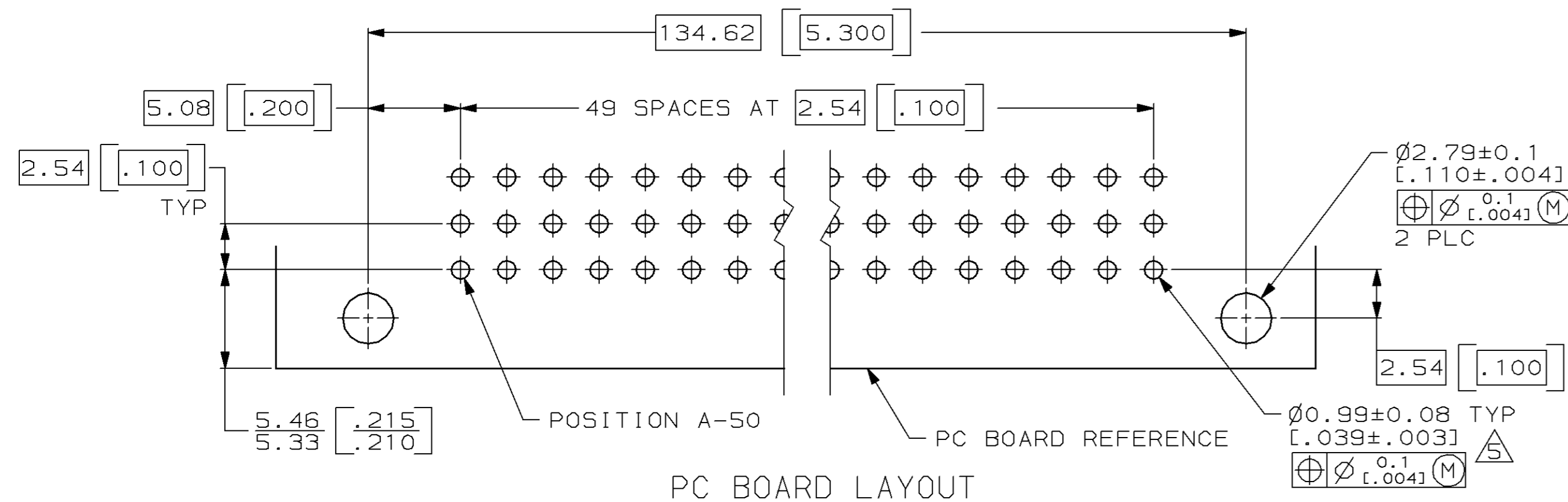
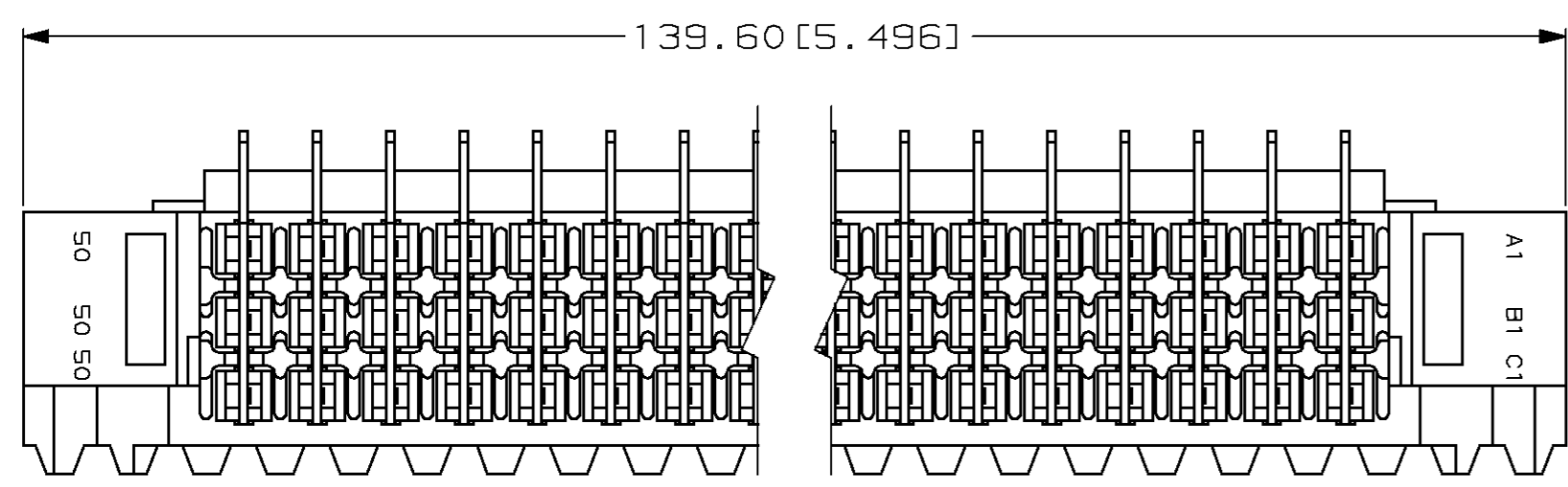
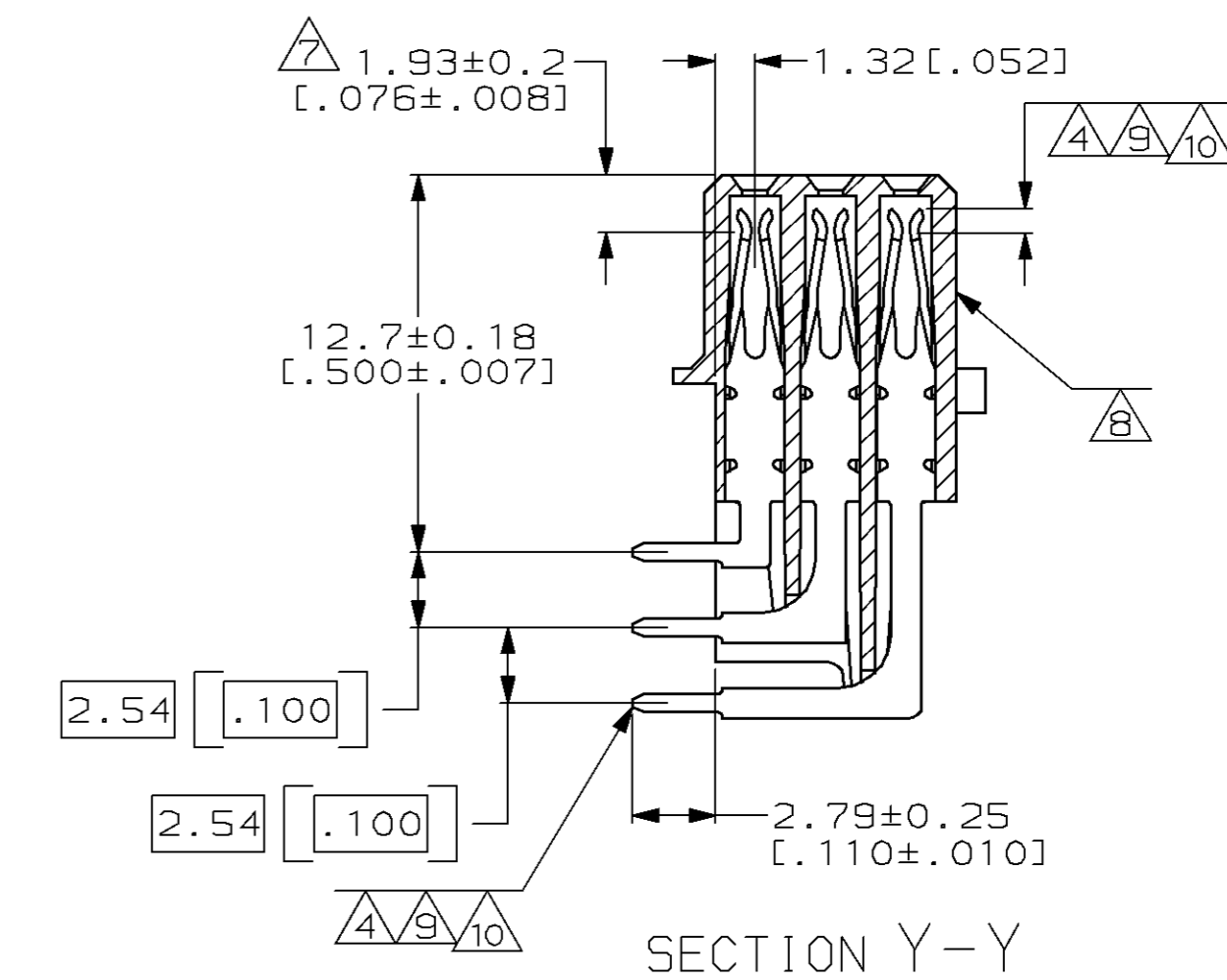


LOC		DIST		P		F		ZONE		LTR		REVISIONS			
AD	25											DESCRIPTION	DATE	APPD	
												K	EC 0010-1457-95	1/18/96	CR
												L	EC 0010-1469-95	4/1/96	CR



- DIMENSIONS IN BRACKETS ARE IN INCHES.
- HOUSING MATERIAL: GLASS-FILLED POLYESTER. COLOR: GRAY.
- CONTACT MATERIAL: PHOSPHOR BRONZE.
- CONTACT FINISH: 0.00076 [.000030] GOLD IN CONTACT AREA. 0.00127 [.000050] NICKEL UNDERPLATE ALL OVER. TIN-LEAD ON POSTS.
- RECOMMENDED HOLE SIZE FOR MANUAL APPLICATION OF CONNECTOR ONTO PC BOARD.
- PART NUMBER, DATE CODE IDENTIFICATION, CSA LOGO HOT-STAMPED THIS APPROXIMATE AREA.
- CONTACT POINT.
- HOT-STAMPING ON THIS SIDE.
- CONTACT FINISH: DIN 41612 CLASS 3 IN CONTACT AREA. TIN-LEAD ON POSTS.
- CONTACT FINISH: DIN 41612 CLASS 2 IN CONTACT AREA. TIN-LEAD ON POSTS.



OBSOLETE	REVISION	DESCRIPTION	DATE	APPD	ASSY PART NUMBER
	9	1 THRU 50		X X X	150 650875-9
	10	1 THRU 50		X X X	150 650875-5
SUPERSEDED BY 650875-5	4	1 THRU 50		X X X	150 650875-4
NOTES		POSITIONS LOADED		C B A	NO. OF LOADED POSITION
					ASSY PART NUMBER

DO NOT SCALE PRINT. UNLESS SPECIFIED DIMENSIONS IN mm [INCHES]	DR L. BRINER 7/25/90	AMP INCORPORATED Harrisburg, Pa. 17105			
TOLERANCES ON:	CHK N. DRASHER 12/19/91				
1 PLC DEC ± -	APPD N. DRASHER 12/19/91	NAME			
2 PLC DEC ± 0.13 [.005]	APPD K.R. PARMER 12/19/91	RECEPTACLE ASSEMBLY, EUROCARD, TYPE "R"			
ANGLES ± -	MATERIAL	SIZE CAGE CODE DRAWING NO			
HOUSING: 10	PRODUCT SPEC	D 00779 650875			
CONTACT: 10		SCALE 4:1 SHEET 1 OF 1			
CONTACT: 10	APPLICATION SPEC				
	WEIGHT				